

Features and highlights

- Scalable**
 Combine with other BACtalk® control modules (BCMs) to fulfill unique processing and network requirements.
- Enterprise ready**
 Combine with BCM-ETH for a BACnet/IP 10Base-T or 100Base-TX Ethernet connection.
- Interoperable**
 Supports one Alerton TUX trunk for connection of up to 64 TUXs if communicating at 4800/9600 baud **OR** one TUX trunk for connection of up to 32 TUXs if communicating at 1200 baud.
- Powerful**
 32 MB RAM, 32-bit processor, and 8 MB of flash RAM provide a fast, reliable platform to run DDC programming and global automation routines.



The Alerton® BCM-TUX is a high-performance global controller and IBEX gateway for BACnet systems.

The BCM-TUX reads TUX data from up to 64 Alerton TUXs (32 TUXs at 1200 baud) on an IBEX TUX trunk and makes the data available to the BACnet network as BACnet objects and properties. The BCM-TUX enables your BACnet system to read and write TUX point data, as well as read TUX alarms. Automated data mapping simplifies setup.

Use the BCM-TUX to host BACnet automation features (such as schedules, trendlogs, alarms, optimum start, demand limiting, and tenant activity) and run building-wide DDC sequences for IBEX field controllers.

Technical data

- **Power** No independent power supply required. Conditioned power is provided by the BCM-PWS through a ribbon-cable connection.
- **Data Backup** 7.2V 700mA-h battery in the BCM-PWS provides interim power for orderly shutdown and backup to flash memory in the event of power loss. Real-time clock retains date and time for up to 20 days without power.
- **Memory & CPU** 8 MB flash RAM. 32 MB SDRAM for program execution. 32-bit, high-integration Motorola CPU.
- **Real-time Clock** Onboard real-time clock supports schedule operations, trendlogs, and timed DDC functions.
- **TUX Trunk** Removable, header-style screw terminals for 1 TUX trunk that supports a maximum of 64 TUXs operating at 4800 or 9600 baud, or 32 TUXs operating at 1200 baud.
- **Dimensions** 6.5" (165mm) H x 1.5" (39mm) W x 5.0" (127mm) D
- **Environmental** 32-131 deg. F (0-55 deg. C). 0-95% RH, non condensing.
- **Ratings**
Listed Underwriters Laboratories for Open Management Equipment (PAZX) under the UL Standard for Safety 916.
EMC Directive 89/336/EEC (European CE Mark).
FCC Part 15, Subpart J, Class A.

- **Software**
Programming interface: BACtalk operator workstation software over BACnet Ethernet.

DDC: VisualLogic® control algorithms execute locally every second. Supports a maximum of 1000 BACnet AVs and 1000 BACnet BVs.

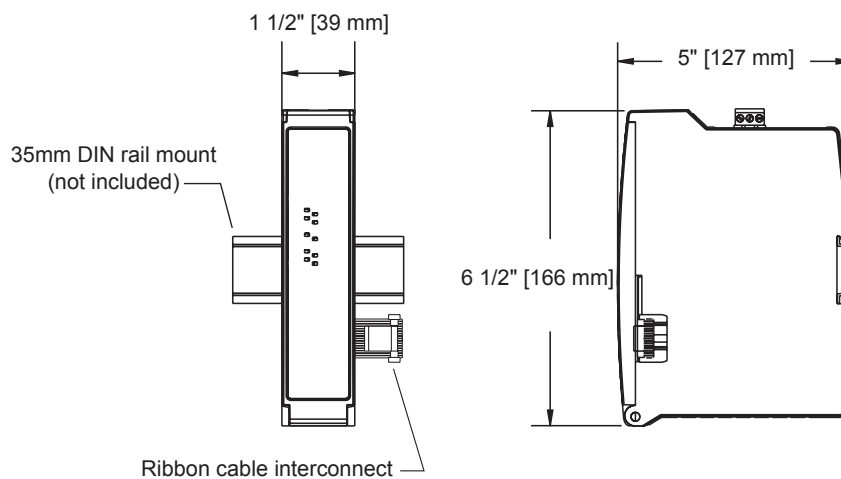
Schedules: Supports a maximum of 80 schedules and 80 calendars.

Alarms: Supports a maximum of 320 alarm setups—system destination and actions individually configurable.

Trendlogs: Supports a maximum of 320 trendlogs to store data point histories for analysis.

Demand limiting: Supports two demand limiter objects, each with 100 loads defined.

Zones and tenant activity logs: Supports 80 zones and 80 tenant activity logs to monitor after-hours energy usage.



Ordering information

BCM-TUX BACtalk control module with 1 TUX trunk

Specifications subject to change without notice